



US00D655273S

(12) **United States Design Patent**  
**Parkins et al.**

(10) **Patent No.:** **US D655,273 S**

(45) **Date of Patent:** **\*\* Mar. 6, 2012**

(54) **EARCUP FOR A HEADSET**

(74) *Attorney, Agent, or Firm* — Brown & Michaels, PC

(75) Inventors: **John W. Parkins**, Ithaca, NY (US);  
**David Parkins**, Groton, NY (US); **David**  
**L. Fergot**, Syracuse, NY (US); **Douglas**  
**M. Russell**, Syracuse, NY (US)

(57) **CLAIM**  
The ornamental design for an earcup for a headset, as shown and described.

(73) Assignee: **Red Tail Hawk Corporation**, Ithaca, NY (US)

**DESCRIPTION**

(\*\*) Term: **14 Years**

This invention was made with Government support under SBIR contract N68335-09-C-0003, awarded by the US Navy. The government has certain rights in the invention.

(21) Appl. No.: **29/383,762**

FIG. 1 is a perspective view of the earcup of the present invention. The approximately oval center area in FIG. 1 is a solid surface.

(22) Filed: **Jan. 21, 2011**

FIG. 2 is a side view of the earcup.

(51) **LOC (9) Cl.** ..... **14-01**

FIG. 3 is a side view of the earcup, showing the opposite side from FIG. 2.

(52) **U.S. Cl.** ..... **D14/205**

(58) **Field of Classification Search** ..... D14/205,  
D14/206, 223, 156, 188, 138 R; D29/112;  
2/209, 423; 128/864; 181/175; 381/309,  
381/380, 381; 455/575.2

FIG. 4 is a top view of the earcup.

FIG. 5 is a side view of the earcup, showing the side facing away from a wearer's head when the earcup is worn as part of a headset. The approximately oval center area in FIG. 5 is a solid surface.

See application file for complete search history.

FIG. 6 is a bottom view of the earcup. The broken lines form no part of the claimed design; and,

(56) **References Cited**

**U.S. PATENT DOCUMENTS**

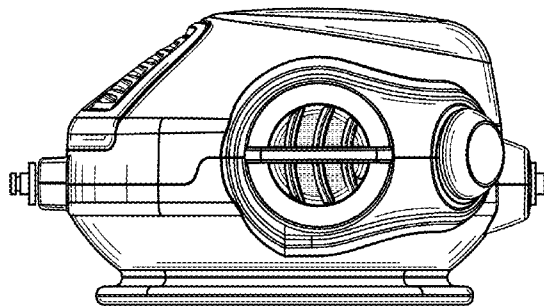
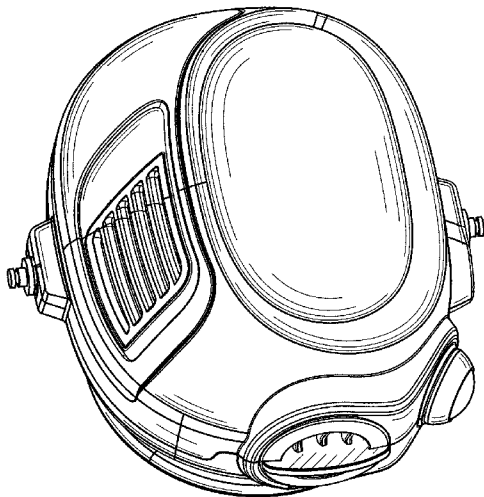
3,661,225 A \* 5/1972 Anderson ..... 181/175

(Continued)

FIG. 7 is a side view of the earcup, showing the side facing toward a wearer's head when the earcup is worn as part of a headset. The approximately oval center area in FIG. 7 is a hole into the interior of the earcup.

*Primary Examiner* — Paula Greene

**1 Claim, 4 Drawing Sheets**



# US D655,273 S

Page 2

---

## U.S. PATENT DOCUMENTS

D239,787	S	*	5/1976	Lonnstedt .....	D29/112	D459,337	S	*	6/2002	Mori .....	D14/192
3,984,885	A	*	10/1976	Yoshimura et al. ....	381/309	D504,414	S	*	4/2005	Yoshida .....	D14/192
D276,855	S	*	12/1984	Falco .....	D29/112	D549,688	S	*	8/2007	Suzuki .....	D14/205
D327,888	S	*	7/1992	Fitzgerald .....	D14/147	D568,290	S	*	5/2008	Wikel .....	D14/205
D377,174	S	*	1/1997	Runquist .....	D14/206	D581,394	S	*	11/2008	Lee .....	D14/205
D411,200	S	*	6/1999	Almqvist .....	D14/192	D592,640	S	*	5/2009	Tkachuk .....	D14/205
D442,340	S	*	5/2001	Leight et al. ....	D29/112	D602,002	S	*	10/2009	Asai .....	D14/206

\* cited by examiner

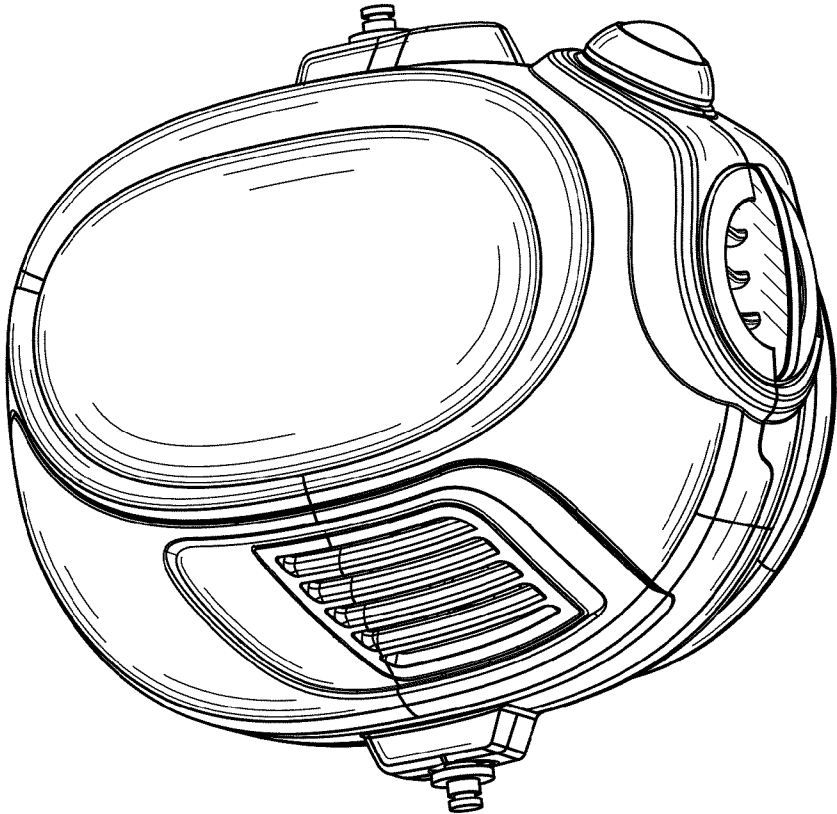


FIG. 1

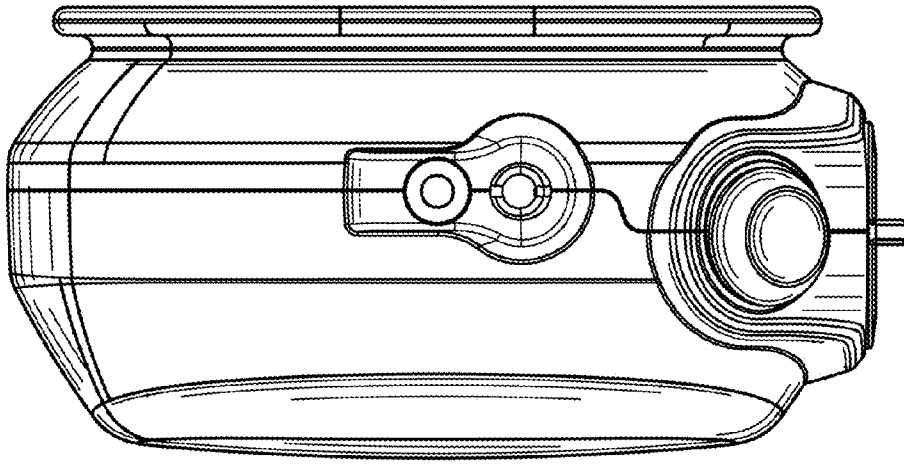


FIG. 3

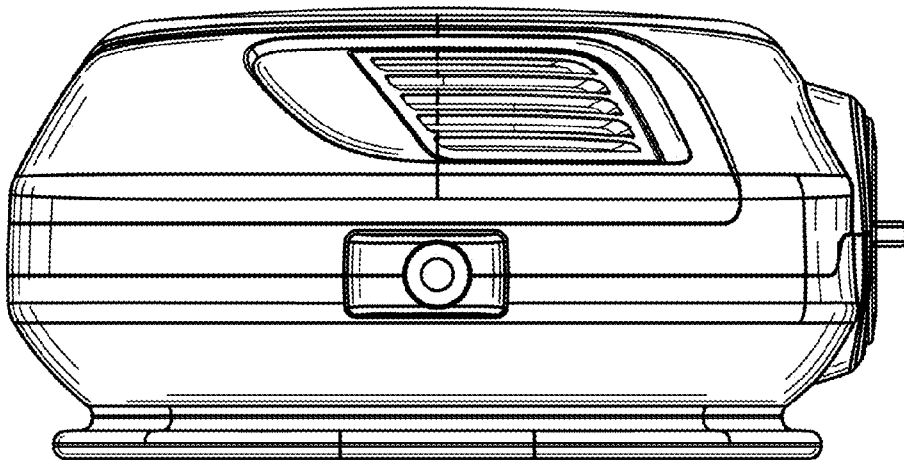


FIG. 2

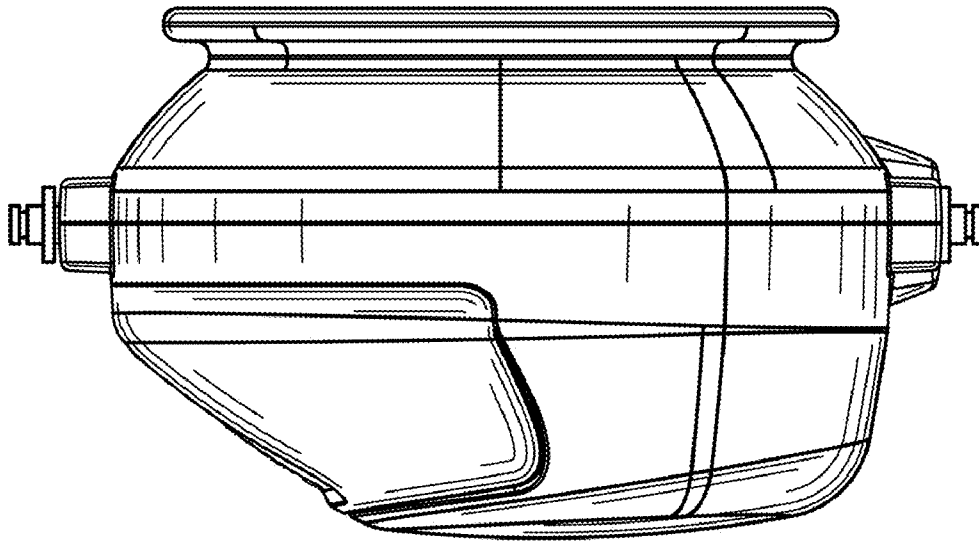


FIG. 4

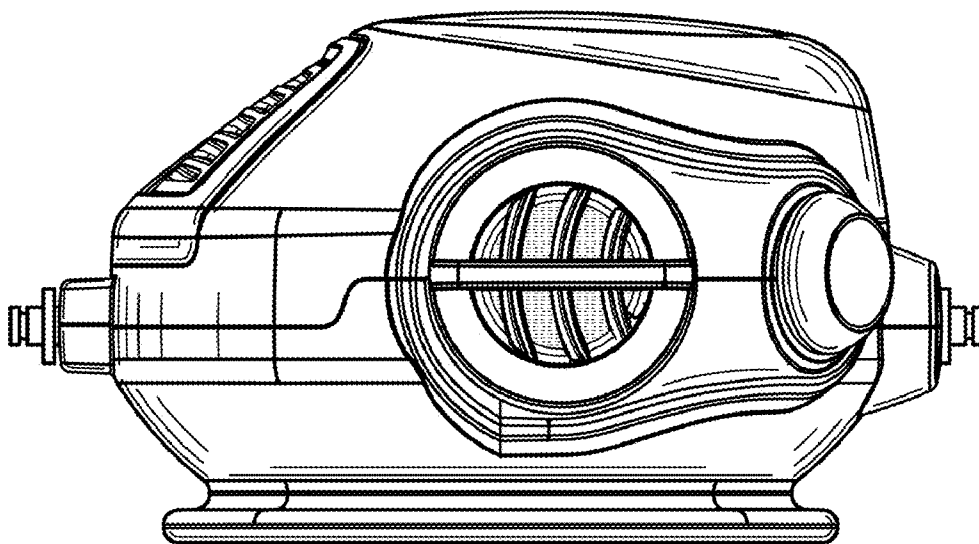


FIG. 6

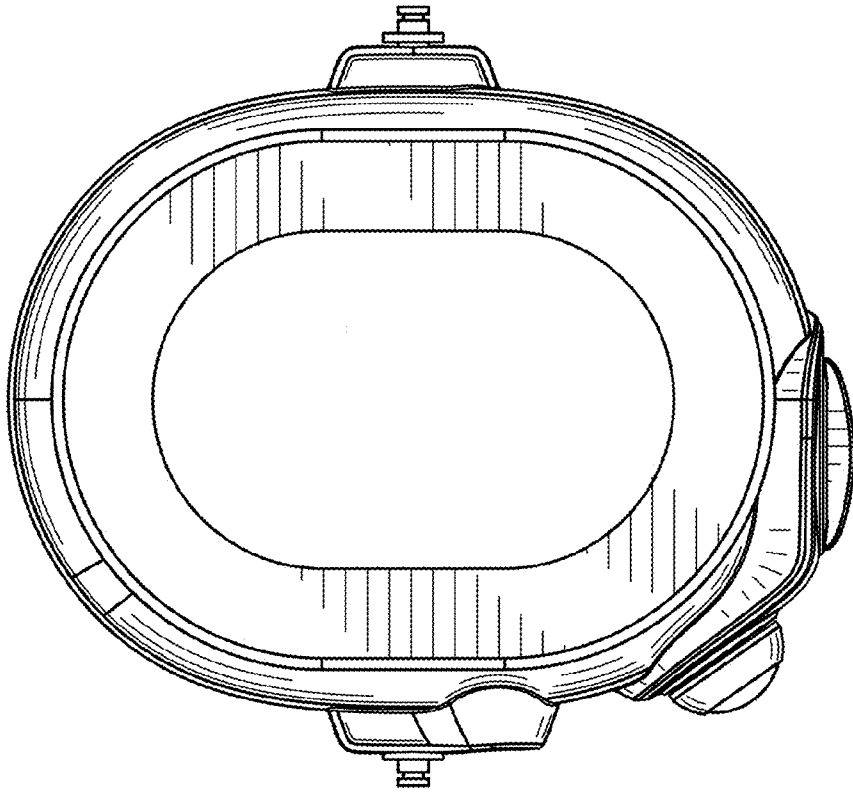


FIG. 7

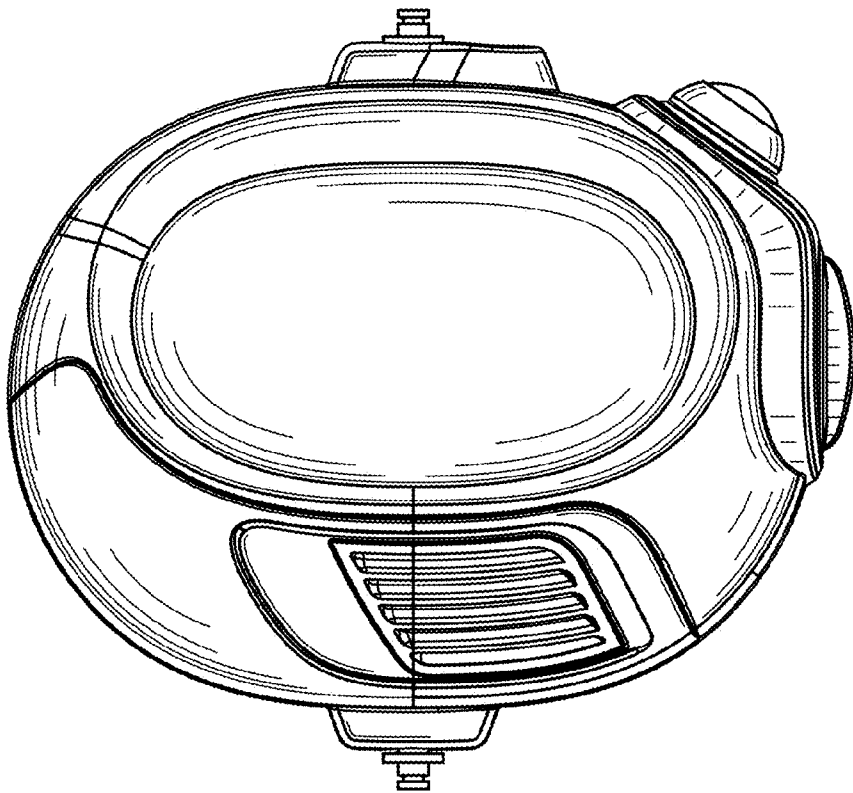


FIG. 5